

Exclusively from your Cat® dealer



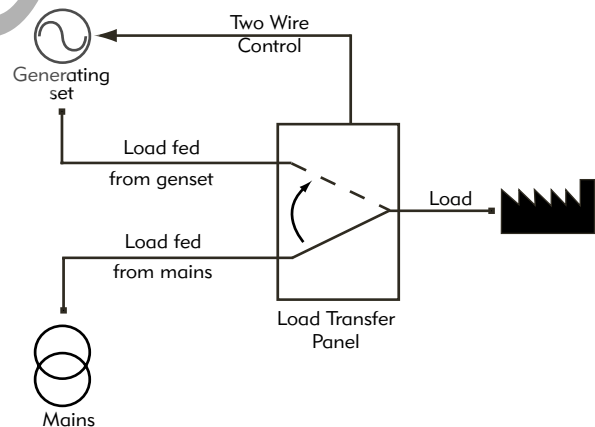
## CTI RANGE Load Transfer Panel

Olympian Generating Sets introduces a new range of intelligent load transfer panels. The CTI load transfer panel provides you with the assurance that when the utility power fails, power will automatically be transferred to the building load from the mains to the generating set.

### FEATURES

#### CONTROLS

- The ability to select between contactor and switch mode, allowing you to protect the electricity load and set the CTI load transfer panel to the mode which best suits the application.
- A highly visible and user-friendly digital display allowing information to be read with minimal scrolling.
- Fast acting switch, reducing transfer times between generating set and utility power.
- Pre-programmed, allowing the panel to run on installation with the ability to customise if necessary.



Exclusively from your Cat® dealer

## FEATURES

- **Wall Mounted**
- **Status Indication**  
Utility power available  
Utility power on load  
Generating set available /  
Generating set on load  
Utility power and generating set  
off load  
Manual mode / Automatic mode  
Test on load / Test off load  
Manual re-transfer enabled /  
required  
Power / Error indication (LED)
- **Facia**  
Symbolic icons to allow for  
multiple languages
- **Mechanically Held Switch**  
Facility for manual changeover
- **Liquid Crystal Display (LCD)**  
Utility power L1-2, L1-3, L2-3  
voltage  
Utility power L1-N, L2-N, L3-N  
voltage  
Generating set L1-N, L2-N, L3-N  
voltage  
Generating set L1-2, L1-3, L2-3  
voltage  
Utility power frequency /  
Generating set frequency  
Number of times switch transfers  
from mains to generating set  
Timer settings

- **Selection between contactor  
or switch mode**
- **Standards**  
Complete enclosure meets  
standard IEC 60947-6-1  
Switch meets standard AC31B
- **Controls**  
Under / over frequency failure  
Under / over frequency restoration  
Manual / auto re-transfer  
Mode select push button  
Under / over volts failure  
Under / over volts restoration  
Delay on start timer  
Delay on transfer  
Delay on re-transfer  
Dead band timer  
Run on timer  
Auto / manual control keyswitch  
Lamp test pushbutton  
Padlock facility
- **Top and Bottom Cable Entry**

## OPTIONAL FEATURES

- **TAUX Auxiliary Contacts** for  
switch position, padlocking and  
auto / manual.
- **VST Voltage Sensing Tap**  
allowing for pole voltage sensing.
- **TLNK Solid Neutral Kit** to  
connect neutral cables from the  
mains, generating set and load.
- **TIP1 Terminal Shroud** for added  
protection.
- **TLPR Lightning Protection**  
ensuring the safety of system  
during lightning storms.
- **TIP5 Ingress Protection IP54**  
protection for the control module.
- **TELT Load Terminal Extension**  
improving ease of installation.

## CTI-DIMENSIONS

Model	Rating Amps	A mm (in)	B mm (in)	C mm (in)	Weight kg
<b>CTI 63</b>	63 A	600 (23.6)	400 (15.7)	200 (7.9)	19.0 (41.8)
<b>CTI 100</b>	100 A	600 (23.6)	400 (15.7)	200 (7.9)	19.0 (41.8)
<b>CTI 125</b>	125 A	600 (23.6)	400 (15.7)	200 (7.9)	19.0 (41.8)
<b>CTI 160</b>	160 A	600 (23.6)	400 (15.7)	200 (7.9)	19.0 (41.8)

